

NEWSLETTER FOR THE

**GUILD OF
OREGON
WOODWORKERS**

**OREGON
WOOD
WORKS**

Vol. #41, Issue 4
April 2024
Portland Oregon

IN THIS ISSUE

President's Note	3
Guild Business	4
Guild History	5
Education	6
Shop Talk	9
Grumpy's Corner	12
SIGs	13
Volunteer Corner	14
Off Cuts	16

GENERAL MEETING PRESENTATION: *HYBRID*

**John Sheridan:
*The Mortise, the Tenon, and Beyond***

Guild Studio and on Zoom

TUESDAY, MAY 21, 2024 7PM

By Joe Wheaton

Prior to moving to Portland, our colleague, John Sheridan, was the owner for the Grew-Sheridan Studio in San Francisco, where he inspired students for over 30 years.



Prior to founding the studio, John taught at the Academy of Art University in San Francisco. On May 21, he brings his many years of creativity and experience in furniture to our monthly meeting. John has chosen what might be considered a rather commonplace topic: the mortise and tenon joint. I hazard to say that almost all of us know what a mortise and tenon joint is, and some of us (not me, necessarily) have made them. But, like many of the common things in life, their simplicity can be the basis of a thing of beauty and versatility in the hands of a master.

In researching this article, I discovered that the joint was used at least 7,000 years ago in China. Before the use of nails and screws, mortise and tenon joints were used because of their strength and reliability. I also found out that the most common disadvantage of the joint is that it is intimidating to beginners. I have to admit that this has been true for me. The good news is that the fear of this joint is misplaced. John's presentation will review the design and the technique of making the joint.



As I look for presentations for our Guild, I love to find presenters who can teach us new skills and inspire us to try new techniques or expand our design ideas. John is an accomplished furniture maker who brings both of these qualities to our presentation. I am looking forward to learning from our colleague and fellow Guild member.

Please join me at either the Guild Annex or on Zoom at 7:00 on Tuesday, May 21. [Click here to Zoom](https://us06web.zoom.us/j/96184696029?pwd=MWZOUeZsejJua0pJY2tvbjVSVlFuZz09) (or copy the following URL into your browser: <https://us06web.zoom.us/j/96184696029?pwd=MWZOUeZsejJua0pJY2tvbjVSVlFuZz09>)



The Guild of Oregon Woodworkers is...

... a group of amateur and professional woodworkers committed to developing our craftsmanship.

Our Mission: To promote the craft of woodworking to the woodworkers of today and tomorrow.

Our Vision: A community of woodworkers that provide significant opportunities to develop, practice, enhance, and share skills.

The Guild offers many benefits for members, including:

- ◆ Monthly programs
- ◆ Monthly newsletter
- ◆ Weekly Volunteer Special Interest Groups (SIGs)
- ◆ An education program to help members develop woodworking skills through a variety of hands-on and lecture classes
- ◆ Sponsor discounts
- ◆ Woodworking shows (such as Gathering of the Guilds)
- ◆ Network of business partners.
- ◆ A woodworking shop
- ◆ A network of friends and opportunities to volunteer and make a difference in our community

What you can do for the Guild

- ◆ Volunteer your time to contribute, assist, organize, lead, teach
- ◆ Take a class
- ◆ Contribute your knowledge

Guild Officers

President -----Ed Swakon
 VP for Programs ----- Open
 VP for Member Support----Mike Sandmann
 Secretary -----Kate Thornton

Directors

Finance -----Tom McCloskey
 Planning-----Renee Fontenot
 Shop Operations ----- Open
 Education-----Steve Poland
 Community Outreach-----Tim Moore
 Membership-----Stuart Brown
 Volunteers-----Charlie Meyer
 Communication-----Bland McCartha

Newsletter Editor/Publisher.....Linda Howarth

For more information see the Guild website or visit the shop.

Guild Shop - 7634 SW 34th St, Portland, OR 97219
Guildoforegonwoodworkers.org



WELCOME NEW MEMBERS

Welcome to our newest **27** members. We're happy to have you with us and hope you'll make a regular appearance at the monthly program (online or in-person), contribute articles to the newsletter, and volunteer in other ways.

- Varro Clarke
- Tyler Fickes
- Quentin Froemke
- Rendell Frunk
- Codi Goehl
- Ramiro Gomez
- Katherine Gyssler
- Jake Hibbard
- Lawrence Howard
- Kevin Jandreau
- Agnes Lee
- Garrett Lister
- Tracy Lloyd
- Mahendra Maheshwara
- Stephen Marshall
- Timothy Marshall
- Zoe Norman
- Evan Pooley
- James Powell
- Gwendolyn Ritzman
- James Ritzman
- Kristina Ritzman
- Ben Roberts-Pierel
- William Samples
- Myles Standridge
- Kyle Warner
- Zach Wise

NOTES FROM THE GUILD PRESIDENT

By Ed Swakon, President

Volunteer of the Month

We recognized Michael Rothman as the March Gig Lewis Volunteer of the Month. Gig himself encouraged Michael to volunteer in Guild activities. Michael is active in the education group. He has served as a class assistant, coordinator, and instructor. We appreciate Michael's volunteer contributions. Thank you, and congratulations, Michael!



Gary Weeber presents Michael Rothman with the award.

General Meeting

Our upcoming general meeting on Tuesday, May 21st, in the Guild's Studio will feature a talk by Guild member John Sheridan. John, with his extensive background in furniture design and construction, brings a wealth of knowledge to our local Guild community. We genuinely appreciate the expertise within our membership.

We would encourage everyone to bring show-and-tell items to share with the group. Thank you to Michael Fortune for his presentation last month.

The Master's Class with Michael Fortune

Last month, I participated in the seven-day "Make a Comfortable Counter Height Chair with Michael Fortune" class in the Guild's Studio. It was an exceptional experience and a unique opportunity the Guild offers our members. Michael teaches globally, but by bringing him to the Guild made the class economical. I got to sleep in my own bed, did not need to travel, and had the chance to learn alongside familiar faces in a familiar facility.

Many don't realize how much work goes into pre-



paring for one of these classes. Over 280 men (and women)-hours were devoted to milling the wood before the classes began. Carol Boyd coordinated that effort. Julie Niemeyer kept everyone informed before, during, and after class about what to expect, and she kept us fed. The unsung hero of the Guild's Master's Program is Chip



Julie and Chip at the class.

Webster. He coordinates with the professionals, shuttles them around town, and ensures we have all the wood, tools, and jigs to make it all work. Thank you all.

Second New Member-Welcome

The second new member-welcome was held on April 1. I think we may have overwhelmed those in attendance with all there is to do in the Guild. Trust me, there are a lot of opportunities for individuals to learn and just as many to help the Guild. Remember, we are volunteer run. Thanks to longtime member Ed Ferguson for coordinating this effort.

Don't forget to send us your pictures by email.

If you attend any Guild function, take a picture. We need these pictures to document everything we do for our newsletter, future donors, and website. To make it easy, we have set up an email address, photos@guildoforegonwoodworkers.org, where you can send them. To be super helpful, please rename the photos with the activity and date. If you know the people in the images, please include that info in the body of the email.

Join us at The Redland Café for lunch on May 6.

On the first Monday of each month, we try to meet for an informal lunch with other Guild members. There is no business, just conversation. We will meet for lunch on Monday, May 6 at 11:30 AM at the Redland Cafe (18305 South Redland Rd., Oregon City, OR). After lunch, Chuck Rinehart will give us a tour of his shop at 19887 S Mosier Rd, Oregon City, OR 97045. If you have a recommendation for a lunch spot, please contact Mark (markxyzsherman@gmail.com). Please join us whether you're a longtime member or just recently joined.

Make friends, get involved, and make sawdust with the Guild!

STATEMENT OF ACCOUNT AND CONDITION

Statement of Account January – March 2024

Revenue	
Administration	\$ 7,615
Community Outreach	\$ 20,472
Education	\$ 59,087
Membership	\$ 23,863
Shop Operations	\$ 25,778
Total Revenue	\$136,815
Expenses	
Administration	\$ 37,746
Community Outreach	\$ 21,252
Education	\$ 21,124
Membership	\$ 740
Shop Operations	\$ 24,896
Total Expenses	\$105,759
Total Net Assets	\$ 31,056

Statement of Condition March 31, 2024

Cash Assets	
Cash Boxes	\$ 200
Reserve Facility Fund	\$100,000
Reserve Operating Fund	\$102,997
Reserve Equipment Fund	\$ 24,540
General Fund	\$151,875
Restricted Donation Fund	\$ 7,606
Scholarship Fund	\$ 6,149
PayPal	\$ 2,525
Total Cash	\$395,839
Other Assets	
Tenant Security Deposit	\$ 7,637
Total Assets	\$403,476
Total Liabilities	none

Questions or Comments Welcome:

treasurer@guildoforegonwoodworkers.org

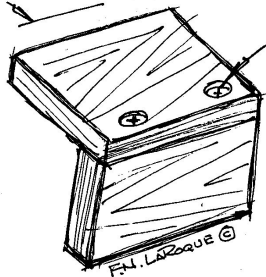
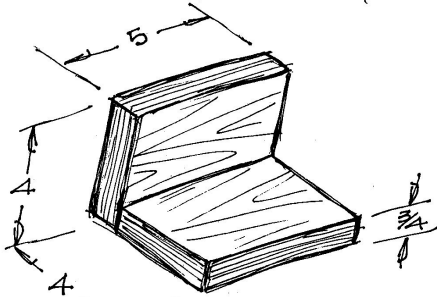


ANGLE BLOCKS AND A FEW WAYS TO USE THEM.

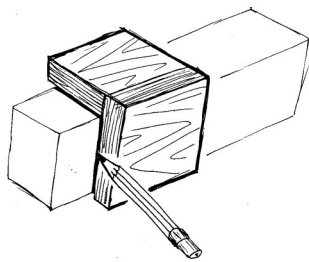
By Frank LaRoque (long time member), Originally published in the newsletter just a few years ago but it seems a good piece to run again.

"ANGLE BLOCKS"

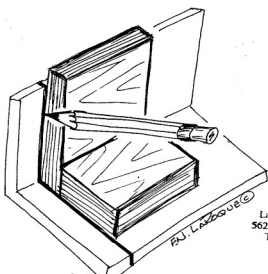
- 3/4" PLYWOOD, (BIRCH), IS BEST BECAUSE IT IS SMOOTH & TOUGH.
- CHECK YOUR TABLE SAW FOR ACCURATE & TRUE CUTS
- ONE EACH FOR EACH BLOCK - 3/4 x 5 x 3/4 & 5 x 4.



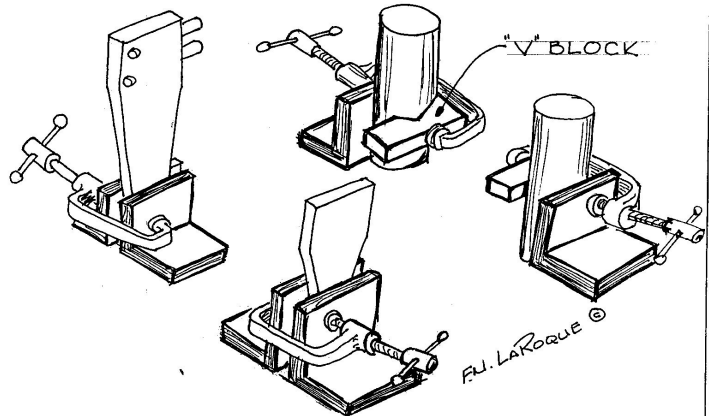
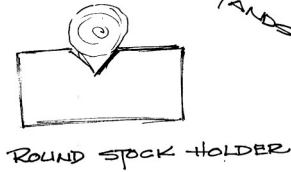
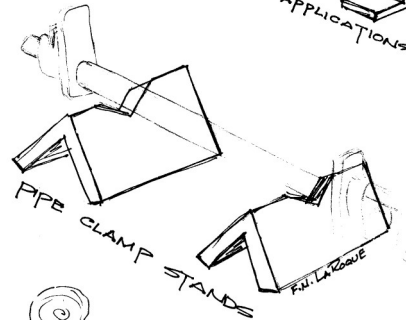
(2) #7 x 2" WOOD SCREWS
w/ #2 WATER PROOF GLUE.



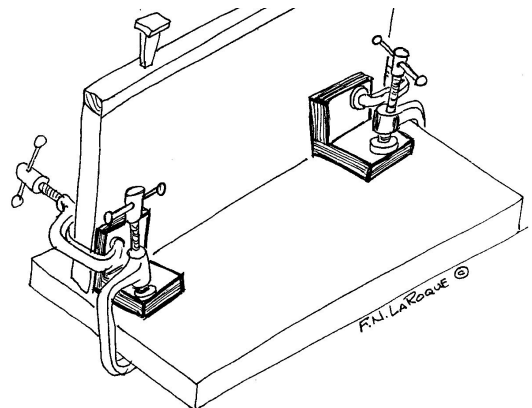
• USE AS A SQUARE, INSIDE & OUT.



LaRoque
5622 WALTON AVE. S.W.
THE DALLES, OR 97053
541-296-1066



• "THIRD-HAND" TO HOLD PARTS.



VERTICAL CLAMPING (Edge treatment, etc.)

IT WAS OUR FORTUNE

By Gary Weeber

April brought more than Spring weather to Portland. It also provided the stage for two magnificent workshops by International Master Michael Fortune. Michael has been here many times before and always leaves us thankful for his visit.

The first workshop this year was titled **THE DESIGN AND FABRICATION OF JIGS WITH MICHAEL FORTUNE**. The workshop was spread over two days.

So, what was this workshop all about? Here is a part of a description by student Dick Harbert:

“I attended the two-day Jig class. Michael Fortune used the first afternoon to introduce us to the importance of using jigs to solve the shaping and alignment of furniture that has few right angles. Michael’s award-winning furniture is largely made up of multiple curves, angles, laminations, and tapers to make the pieces unique and interesting. He took us through the design, construction, and use of jigs as problem-solving means to build his pinwheel table. The table consists of three pieces joined together to support a glass top. Michael began with his use of a sketchbook to shape a piece he liked. He then showed us his full-sized drawings. Eventually, he engaged in problem-solving to create many jigs, working part by part to keep the planes, geometry, and flow of his design. He evaluated steam bending or laminating to create curves. The jigs included sandpaper to hold pieces in place, hold-downs and blocks to position pieces as they would be cut on a bandsaw, Pan-toRouter, table saw, or router table. Michael would figure out unconventional ways to use tools in order to achieve his furniture needs.



The second day went into the jigs that would be used in the follow-on workshop to build a unique chair. This reinforced his approach to the design, construction, and use of jigs to advance his approach to creating very special furniture.



It was an excellent class where we all learned new ways of thinking about woodworking projects and approaches to making neat things.”

Student Jason Ywahu has commented that “I really enjoyed the Jig class. Not only did it give me a good understanding of how to construct a Jig, it gave me a new perspective on how to use the tools around the shop!”

The second workshop was titled **MAKE A COMFORTABLE COUNTER HEIGHT CHAIR WITH MICHAEL FORTUNE**.

This workshop involved five days of intense hands-on instruction with students building the chair. The tall chair is stunning in its artistic presentation and builds on the comfortable Number Nine dining chair. With the additional height comes a footrest and additional structural members. The chair construction involves mortise and tenon construction throughout, with a coopered seat and back to make it wonderfully strong and comfortable.



continued on page 7

THE FORTUNE CHAIR CLASS... *continued from page 6*



A NOTE FROM YOUR REGISTRAR

By Julie Niemeyer

It's Spring.... And sometimes we'd rather be doing something else besides taking a safety class. This is the time of year that I receive an uptick in class cancellations. I get it, I'd rather be doing ANYTHING outside and not in the woodshop.

I just want to remind everyone who has registered for a class about our cancellation policy. The link is posted in every class description near the bottom. [Cancellation / Refund Policy](#)

Essentially, you must cancel at least seven days before the class in order to receive a refund. Before seven-day deadline, you may go online to cancel. A refund will be issued usually the following Monday or Tuesday. On days 1-6 before a class, the website will not allow you to cancel. You must email the Registrar. mail-to:registrar@guildoforegonwoodworkers.org.

It's courteous to email me so I can tell the instructor that you're not coming. Also, I often can fill the space with someone on the waitlist. Please do not email the instructor with the cancellation request as they cannot fill the empty seat in the class.

Happy Spring everyone!

For Safety Classes and more detail on the woodworking classes, see the Guild Education Calendar at <https://guildoforegonwoodworkers.org/Education-Calendar>.

HUMBLE PIE

By Gary Weeber

Well, it happened again. I was not smart (aka stupid).

I am building a bedside table that has finger joints to connect the sides of the case to the back. I very meticulously set my Inkra finger joint jig so that the fingers had just the right fit. I made sure that I had my pieces properly oriented and that I was cutting the fingers so that the sides and back matched. That went great!

Next step: Cut a rabbet along the bottom edges for the bottom of the case using the same 5/8" box joint blade set. It was at this very point that I took a left turn into stupid. I was concerned about the teeth of the blade hitting the Saw-Stop fence and so I decided to cut the rabbet on the edge of the board opposite the fence. **Mistake 1.** I then proceeded to cut the rabbet holding down the piece against the table top with my hand. **Mistake 2.** Then IT happened. As I was feeding the piece through (between the blade and the fence) it caught, kicked back, and found a willing victim in my lower abdomen as it rocketed off the saw. I was not hurt but I suddenly concluded that I might at that very moment have difficulty matching the intelligence of a toad.

So, lessons learned. First, always cut the rabbit on the side of the work that is close to the fence, if at all possible, even if that requires a sacrificial fence. Secondly, grab a hold-down device for better security. Do not rely on your hand.

We all make mistakes. Hopefully I will not do the same stupid thing again (although no guarantees). If this moment of public humility helps you...then it was worth it.



UPCOMING CLASSES

MAY

Build a Crosscut Sled for Your Table Saw Instructor: Dick Rohrbaugh	05/02
Hand Cut Dovetails for Beginners Instructor: Bob Mack	05/03
Connecting Wood with Metal Instructor: Tim Moore	05/12
Making a Box with Heart Inlay Instructor: Carol Boyd	05/18
Beginner Machine Maintenance Training Instructor Shou Mo	05/18
Sharpening Chisels and Plane Irons Instructor Tim Moore	05/19
Chinese Styled Stool Build Instructor El Cook	05/24-26

JUNE

Coasting into Kumiko Instructor Ruth Warbington	06-14
Leatherworking for Woodworkers Instructor Tim Moore	06/16
Hand Plane Skills Instructors Ruth Warbington/Tim Moore	06/21

JULY

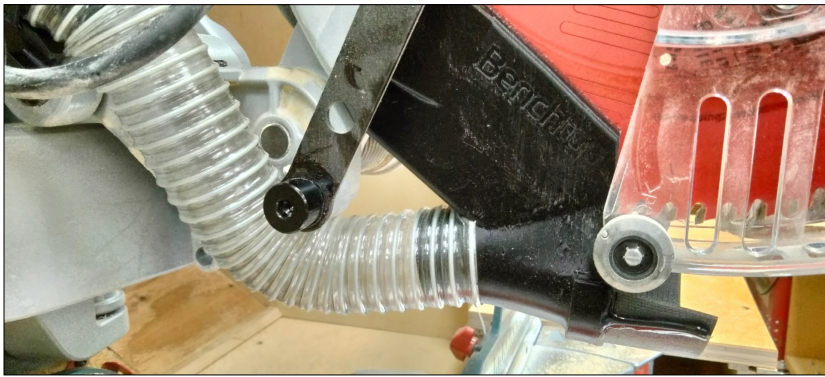
Scroll Saw Basics Instructor Rick Martin	07/09
Hand Cut Dovetail Drawer Box Instructor Steve Poland	07/20-21
Hand Cut Dovetails for Beginners Instructor Bob Mack	07/26

THANK YOU FOR GENEROUS DONATION

We received a generous donation of two (2) 3D printed dust collection adapters for the Bosch 12" miter saws we have in the Studio and the main Shop. This will make a big improvement in the errant dust in both of these shop spaces.

Chris Harpster with Benchtop Woodworks provided these to us at no cost (\$90 value for both).

Thank you so much Chris!



THE DESIGN PROCESS... *continued from page 10*

- ♦ Curved planes - sections of card board tubes
- ♦ Static - object appears stationary
- ♦ Kinetic - object appears to move, i.e. legs slant in one direction
- ♦ Negative space - the space between the physical components ****very important****
- ♦ Rectilinear - components are arranged at right angles to one another (linear or planar)
- ♦ Curvilinear - components are a series of curved elements (linear or planar)

Usually begin your exploration by sketching because it is the fastest (and the easiest way to save your ideas). Jot down quick interpretations of the above categories without fussing over the doodles.

Think volume and more importantly loose your inhibitions, exaggerate your idea(s) just to see what happens. If sketching inhibits your creativity, change to a different exploration method, model making.

Set yourself a goal for each exploration i.e. ten sketches/models of a linear exploration...ten of a planar...

Explore your idea using the following verbs to spur variations:

Multiply	Light/heavy	Invert
Repeat	Transpose	Stretch
Distort	Rearrange	Rotate
Reverse	Flatten	Combine
Soften	Add/subtract	Rhythm
Movement	Outward/Inward	Exaggeration

Step Five**Select your design**

Select from your larger exploration - two or three objects that are closest to what you hope to achieve. Dissect the three designs, looking for elements that can be eliminated.

- ♦ Michael generally recommends the “rule of three”, each object should have no more than three important elements. The overall form is the most important, followed by the wood (color) and detailing like knobs, upholstery, etc.
- ♦ Make scale models of these ideas -(scale, realistic proportions are important)
- ♦ Photograph these models - (easier to separate yourself from the object)
- ♦ Choose one design and begin to resolve the details (make a commitment)
- ♦ Remember you are the decision maker.

The idea that you have chosen to pursue is not the last

piece of furniture that you’ll ever make, if you procrastinate you don’t progress as a designer or craftsperson.

Step Six**Fabricate**

- ♦ Make a full size drawing - (front, side, & top views, KISS)
- ♦ Recommend that you avoid ¼, ½, scale drawings, they are hard to proportion and it is more difficult to take patterns from the drawing.
- ♦ Develop construction sequence, most logical schedule for construction
- ♦ Take photos throughout project.

Step Seven**Evaluate**

It is just as important to evaluate your design sequence as it is to evaluate your designs.

- ♦ What part of the design sequence did you find to be the most fun? challenging? boring?
- ♦ Was drawing difficult?
- ♦ Was model making difficult?
- ♦ What was your attention span at each stage?
- ♦ Did the object fulfill the intended function?
- ♦ What was the first reaction that people had when using/viewing the piece of furniture?
- ♦ How do you feel about the piece during the design phase, during construction, immediately after completion, six months later?
- ♦ What would I do differently next time?

Step Eight**Document**

- ♦ This is also important, every idea has value, maybe some of the ideas you’ve generated may not be what you are looking for at the moment but they might spark an idea later. You’ll always look at things differently with the passage of time. The trick here is to continually expand your idea base and to do that you need to remember ideas that you found had some potential. Digital cameras make documentation easy and very compact.
- ♦ Keep your sketches, all of them - even the doodles
- ♦ Start a picture file of things torn from magazines.
- ♦ Start a computer file of pictures you’ve taken, patterns in the snow, an edge of a sea shell etc.
- ♦ Keep picture files of foam core models if you can’t store them in plastic totes. It surprising to go back and reconfigure models, ideas pop up that weren’t obvious the first time.

GRUMPY'S CORNER



This is the first of occasional articles about misuse and abuse of Guild shop tools and any other anecdotes about shop life that Mr. Grumpy finds interesting. After many years of observing misuse and abuse of Guild tools I've decided to try to embarrass those who do this, into mending their evil ways.

***You** too could be featured here! (But you probably don't want to be.)*

What's wrong with the picture below? Let me count the ways.



1. The user hit metal with a woodworking router bit...and kept routing.
2. The user didn't tell anyone that they screwed up.
3. The user didn't know how to properly use the router.
4. The user put this bit back in its storage place so the next person who needed it would not be able to use it.

OK folks, we all break or damage tools at some point in our woodworking careers. It's hard to believe, but yes, even I have done that. It just happens sometimes.

BUT... when you're using the Guild tools and something like this happens, **TELL SOMEONE!!** Not your doctor, not your friend, not the barista at Starbucks, tell the Shop Attendant. That way we can order a replacement and hopefully not deprive another user of having a tool when they need it.

Let's make saw dust,

Grumpy

A KUMIKO BOX

By Dave Heim

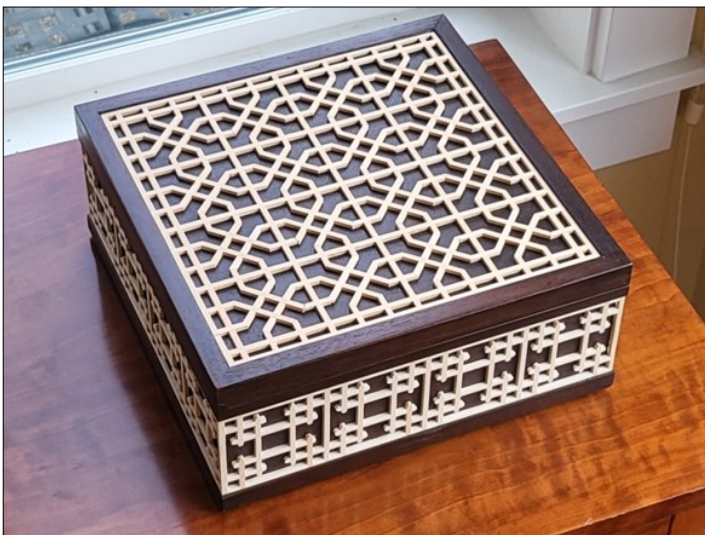
The goal for this box was to cover as much of the surface as possible with kumiko. I got interested in kumiko after seeing one of Ruth Warbington's panels. The box is in stained walnut and basswood. The kumiko panels were made first, and the box was then made to fit. The box has a Cosman type wooden hinge which Tom McCloskey showed us how to make at one of the recent Box SIG meetings. (If you're interested in making boxes, the Box SIG is a great place for information about and discussion of boxes.)

A kumiko box

The kumiko side panels are mitered at the corners.



The Cosman type wooden hinge



GIG LEWIS VOLUNTEER-OF-THE-MONTH AWARD



Each month the Guild awards one of its most prestigious awards, the Gig Lewis Volunteer of the Month. Because the Guild is run entirely by volunteers, recognizing our volunteers is essential. Previous recipients of this award have volunteered in many ways. They might have actively participated in one or more of the many Community Outreach programs the Guild has or in Education or Shop Operations or con-

tributed with a one time project for the Guild. Some have taken on a role behind the scenes that is important to the Guild's ongoing operations. There are many ways and roles that members take to contribute to the Guild's ongoing success.



Gig Lewis with Tula.

APRIL 2024 – MICHAEL ROTHMAN

This month's recipient of the Volunteer of the Month is **Michael Rothman**.



Michael has made a tremendous contribution to the Guild's Education Program. He has served as a class assistant, coordinator, and instructor. This is especially significant because recently we've seen many new members.

The Education team heartily supports this honor for Michael and adds this comment about his contributions.

"Michael is a long-time

member of the Guild who has volunteered in many capacities as a member. His 'happy to help' demeanor has been one of our best examples of the Guild volunteer personality. During a period of extreme need, Michael stepped up by taking on the role of an instructor for the Getting Started in Portable Power Tools class.

Michael loves woodworking and people. Both of these loves shine through in everything Michael does."

Comments from Michael regarding his experience with volunteering for the Guild: *"I am tickled beyond belief about this. Gig was the person who introduced me to the Guild and became my best friend and confidant. He often asked me to participate as one sort of volunteer or another without judging me if I said I couldn't do something. I have now found one of the greatest joys in my life is introducing*

the tools of woodworking and their safe use to new folks in the Guild. You can see the light come on in their faces as the realization comes to them that they can do this to make wonderful things and not be fearful of using the tools that make it possible"

Editor's Note: I have to add that Michael stepped up the plate for me with the newsletter. Gig used to be my proof reader and, after he passed, Michael stepped in to take his place. He has done it ever since. Thanks so much Michael.

We are pleased to have Michael Rothman as our Gig Lewis Volunteer of the Month for April, 2024



MAZAMAS COMMUNITY BUILD PROJECT

CALL FOR VOLUNTEERS.

The Guild has teamed with the Mazamas to build a large display cabinet, a new podium, and an odd-shaped shelf for the Mazama Mountaineering Center.

The display cabinet will be used to showcase items from the historical collection of mountain climbing equipment, books and photographs. We anticipate that the project will get underway in May and might take a few work sessions. Timing of the sessions TBD by the project volunteers. To learn more about the Mazamas: <https://mazamas.org/> To join the project just email Bill Resley at bill.resley@guildoforegonwoodworkers.org

THANK YOU TO OUR VOLUNTEERS AT THE GATHERING OF THE GUILDS

by Joe Wheaton

We did it! With the help of 50 volunteers, our Guild sold over \$7,700 worth of our creations at the Gathering of the Guilds (GOTG), April 19-21, at the Oregon Convention Center. The GOTG is our most profitable event. The Toy and Project Build groups provide most of the articles for sale, with a few additional items sold by individual members. As the volunteer coordinator for this event, it was gratifying to seeing so many members volunteer. We had every shift at least 80% covered.

I'm not going to list every volunteer, but I want to call out the work of Carol Boyd, who, to the best of my knowledge, worked every shift of every day. As both a shift leader and cashier, she was the glue that held everything together, day in and day out. I also want to thank Bob Hargrave, who was our liaison with the GOTG. Bob orchestrated the purchase and organization of the space for not only our Guild but for all woodworkers at the show. This is a monumental job.

And of course, we all have to thank Vince Corbin for hauling the trailer to and from the show. Without Vince, nothing arrives, and nothing leaves – there would literally be no booth to put up, no items to sell, and no way to demonstrate woodworking to the show's attendees. And finally, I have to thank the Toy and Project Build groups for loading and unloading the trailer. With their help, many hands made light work.

All and all, it was a great show for the Guild. We not only sold our wares, but we also raised the visibility of the Guild to our community. This was a job well done by our terrific members and volunteers. Let's make next year even better. Thank you.





Many Guild members recognize that woodworking can be a lonely avocation especially if you work alone in your shop. It's fun to get together with other woodworker's to swap stories, share successes, and failures, and to ask questions.

We look forward to meeting with fellow members for some lunch and conversation. There may even be some talk about woodworking.

The monthly Meet-Ups are held on the first Monday of the month and we try to visit all parts of Portland. Attendees order off the menu and pay on their separate check. All the Meet-Ups gather at 11:30 am, but late comers are always welcome. Everyone in the Guild is invited.

MAY

May 6 , 11:30am

The Redland Cafe

18305 South Redland Rd., Oregon City, OR

After lunch, Chuck Rinehart will be giving us a tour of his shop located at 18305 South Redland Rd., Oregon City, OR Phone 503-631-8646.

Lots of Guild members swear by this restaurant.

<https://www.theredlandcafe.com/menu>

JUNE

June 3, 11:30am

Lima

(A Peruvian restaurant)

12090 SW Allen Blvd

Beaverton, 97005

I've been to Peru and this menu looks pretty extensive.

<https://limaperuvianrestaurant.co/>

July

July 1, 11:30am

Busters Barbecue

11419 SW Pacific Hwy, Tigard OR 97223

<https://www.bustersbarbecue.com/>

[tigardoregonlocation.asp](https://www.bustersbarbecue.com/tigardoregonlocation.asp)

Note: This is not vegetarian friendly.

REPAIR RECOMMENDATION

Guild members with electric and pneumatic tools that need repair should consider the Portland Tool Peddler at 6417 SE Powell Boulevard in Portland. 503-954-2185.

A Guild member with a non-functioning older 1/2" corded Porter-Cable hand drill had it restored to perfect shape for \$40 and in just 36 hours of turnaround time. The Peddler repair man is familiar with all brands and also specializes in battery-powered lawn mowers.

[portlandtool peddler21@gmail.com](mailto:portlandtoolpeddler21@gmail.com)

A MOMENT IN THE GARDEN



THE GUILD IS PROUD TO BE SPONSORED BY:

The Guild is grateful to be supported by numerous local businesses, our sponsors. Please patronize them when you can. Most offer some kind of discount to members, with some restrictions. We hope you will thank them for their support when you are at the cash register. *Click on their logos below to go directly to their website.*

